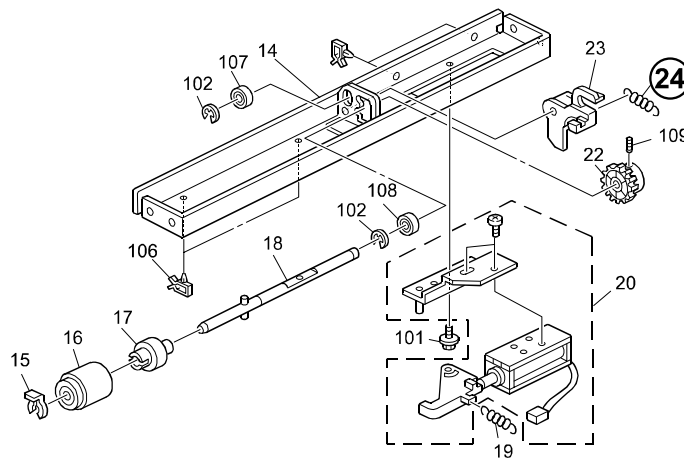


Model: RT46 for Bellini-C2		Date: 20-May-03	No.: MB511001
Modified Article: Reverse Pressure Spring - 55GF		Prepared by: F.Noguchi	
From: 2nd Tech. Support Sec. Service Support Dept.			
Reason for Modification:	<input type="checkbox"/> Parts catalog correction <input type="checkbox"/> To facilitate assembly <input type="checkbox"/> Part standardization	<input type="checkbox"/> Vendor change <input checked="" type="checkbox"/> To improve reliability <input type="checkbox"/> Other	<input type="checkbox"/> To meet standards ( )

The Reverse Pressure Spring has been changed as follows to improve paper feed performance.

- Pressure increased
- Diameter increased (0.45mm→ 0.5mm)
- Pre-attachment length increased (18.0mm→ 21.4mm).

Old part number	New part number	Description	Q'ty	Int	Page	Index	Note
AA060834	AA060941	Reverse Pressure Spring - 55GF	1 - 1	X/O	19	24	
		Spring: Pressure: Reverse					



### RCL (Japan) Production (B511)

MODEL NAME	BRAND	DESTINATION	CODE	SERIAL NO.
RT46	Ricoh Savin Gestetner Lanier	208-240/60	B511-17	J7230300001
RT46	Infotec	220-240/50,60	B511-26	6Q60330001
RT46	Ricoh Gestetner Nashuatec Rex Rotary Lanier	220-240/50,60	B511-27	J7230300075